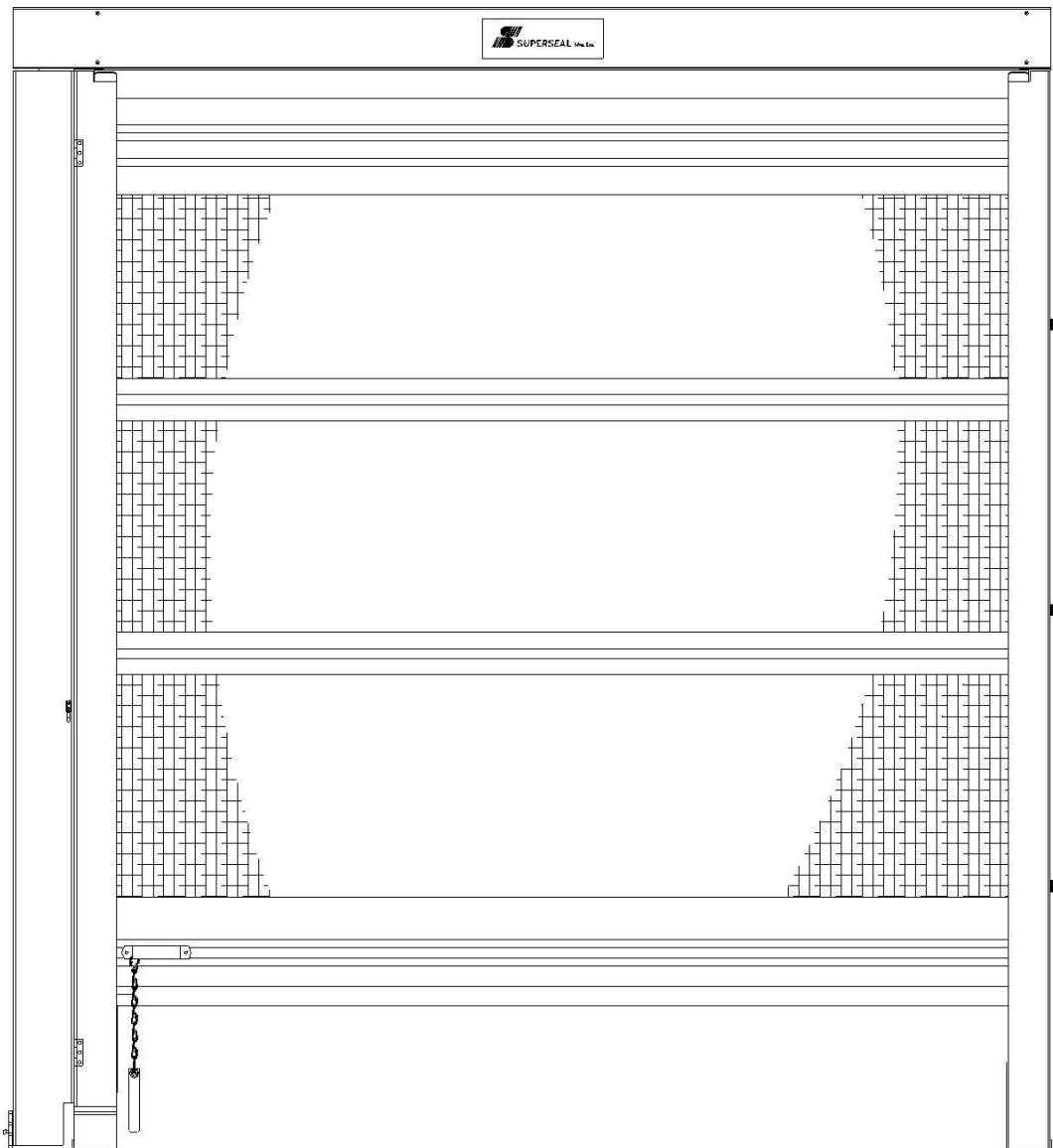


Series 8000BUG – Super Screen Roll Door

PROJECTION MOUNT INSTALLATION INSTRUCTIONS



Series 8000BUG – Super Screen Roll Door

INSTALLATION LISTS

THE FOLLOWING LISTS COVER BASIC INSTALLATION, NOT INCLUDING OPTIONS OR ELECTRICAL

Components List

No.		Qty.
1	Uprights	2
2	Fabric Roll	1
3	Counterweight Cover	1
4	Counterweight	1
5	Canopy Cover	1
6	Hardware Bag	1
7	Installation Instructions	1
8	Standard Brush Seal Kit	1

Hardware Supplied List

No.		Qty.
1	5/16" Locknuts	4 (1 extra)
2	1/4" Washers	4 (1 extra)
3	Pop Rivets	40 (3 extra)

Recommended Tools List

Tape Measure
Level
Pencil or Marker
Square
Power Drill
Hammer Drill
3/8" Masonry Drill Bit - 3/16 HSS Drill Bit

Pliers
Socket Set – Standard (Imperial)
Wrench Set – Standard (Imperial)
Hammer
Knife or Scissors
Pop Rivet Gun

Series 8000BUG – Super Screen Roll Door

INSTALLATION INSTRUCTIONS

READ ALL INSTRUCTIONS BEFORE INSTALLING DOOR. SUPER SEAL MFG. LTD. WILL NOT BE HELD RESPONSIBLE FOR IMPROPER INSTALLATION OF ANCHORING DEVICES, OR FOR INSTALLATION INTO AGED OR UNSOUND CONCRETE, CONCRETE BLOCK, OR OTHER WALL OR FLOOR MATERIAL WHICH MAY RESULT IN PREMATURE PRODUCT WEAR, PRODUCT FAILURE, PROPERTY DAMAGE, OR PERSONAL INJURY.

1. Check Order

a. Determine door placement.

- The door may be installed:
 - * around existing overhead or steel roll-up door and conduit, drain pipes or other permanent objects and materials
 - * **Measure door position height and width.** Compare to Purchase Order.

NOTE: CHECK WITH DEALER FOR 8000BUG DOOR PLACEMENT. CAREFULLY MATCH PRODUCT TAGS AND LABELS TO EXISTING DOORS.

- b. **Check Components List and Hardware Supplied List.** Make sure all components and hardware are present.
- c. **Check Recommended Tools List.** Make sure all recommended tools are available.
- d. **Determine method of mounting Uprights or Projection Legs to wall.** Examine wall construction and decide whether to use concrete anchors, use threaded rod, or use another fastening technique. This door must be securely fastened to the wall.
 - **The Customer must supply mounting hardware.**
 - **WELDING THE DOOR TO THE WALL IS NOT RECOMMENDED.**
- e. **Installation Recommendations:**
 - Use serviceable locktight for all fasteners.

2. Install Uprights – Projection Mount

- a. **Measure the projection** of the upright.(Fig. 1c)
- b. **Measure and mark a line** on the floor. Parallel to the mounting surfaces on the left side and the right side mark a line on the floor. (Fig. 1d)
- c. **Measure and Mark Upright Line.**
 - **Check the Unit Opening Width** marked on the fabric roll. Add the two side frame dimensions to the Unit Opening Width. This is your distance between the Projection frames.(Fig 1c)
 - *(Unit opening Widths greater than 120" have a wider Side Frame)*
 - **Determine the position of the Uprights** using the measurement of the distance between the Projection Frames.(Fig. 1e)
 - **Mark a perpendicular line on the floor.** Do this on the left side and the right side.(Fig. 1d)
- d. **Position Uprights and Attach Uprights**
 - **Align the Projection Frame of right Side Upright** with right perpendicular line marked on the floor.(Fig. 1e)
 - **Check both Uprights for plumb, level, and square.**
 - * **Shim**, if necessary.(Fig. 2b)
 - **Fasten Uprights to mounting surface** using holes in flange of projection leg.(Fig. 2c)

NOTE: THIS DOOR MUST BE PLUMB, LEVEL, AND SQUARE IN ORDER TO WORK PROPERLY.

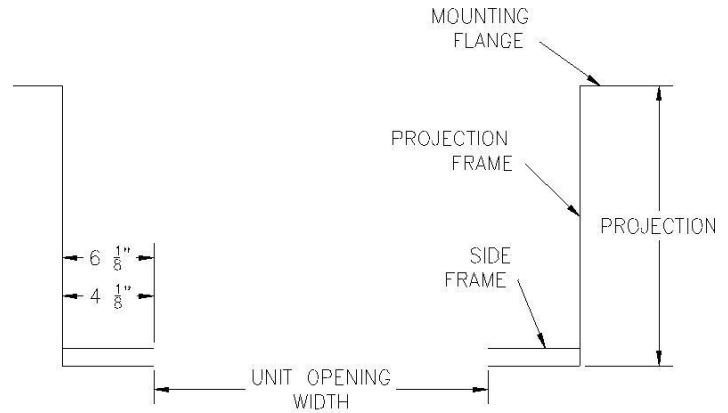


FIG. 1C

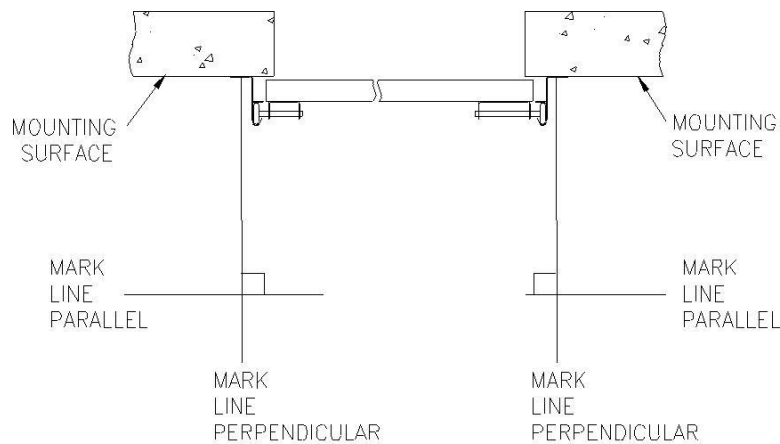


FIG. 1D

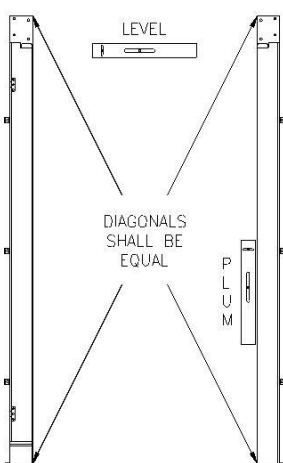


FIG. 2B

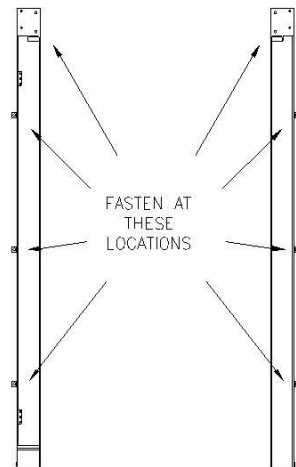


FIG. 2C

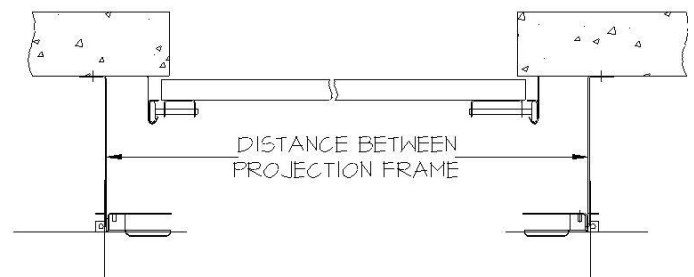


FIG. 1E

3. Install Gasket Behind Overhead Door

a. Install Brush Gasket.

- **Seal Gap** between overhead door and building wall with Brush Gasket before installing Fabric Roll.
 - * It is very difficult to install the Brush Gasket after installing the Fabric Roll.
- **Center piece #1 of Brush Gasket and Retainer** on opening width.
- **Install Brush Gasket** high enough.
 - * When the door is fully open, the Brush Gasket should be above the bottom of the door panel but should still touch the door panel.
- **Trim Brush Gasket**, if required.
- **If a gap remains** on either side, **fill with Brush Gasket piece #2.**

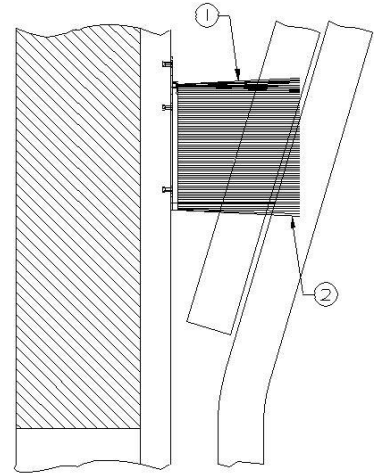


FIG. 6A

4. Install Fabric Roll

a. Determine on which Upright the Counterweight will be attached.

- **The cable spool is mounted** on the Counterweight Upright.
 - * **This is correct** if you consider that the fabric falls off the back of the fabric roll and down into the Upright.

b. Mount Fabric Roll. (Fig. 3)

- **Lift up** Fabric Roll.
- **Mount** to Uprights.
- **Secure** with locknuts and flat washers provided.

c. Attach Counterweight.

- **Unwrap cable from cable spool**, leaving two wraps of cable left on spool.
- **Attach Counterweight** to “S” hooks on end of cable.
- **DO NOT CLOSE “S” hooks** around ring welded to Counterweight at this time.
- **Remove Roll Retaining Straps** from fabric roll.

d. Insert Bottom Bar.

- **Pull door down** with the Pull Chain.
- **Insert Bottom Bar.**

5. Position Counterweight and Check Bottom Bar

a. Work the door up and down several times.

b. Open the Door fully.

- The Counterweight should be at end of shaft.
- **Check the distance between the floor and bottom of the Counterweight.**
 - * The distance should be about 6”.

c. Close the Door fully.

- **Check the distance between the top of Upright below the Mounting Bracket and the top of the Counterweight.**
 - * The distance should also be about 6”.
- **If not, add or remove a wrap on the cable drum.**

d. Adjust Counterweight position

by winding or unwinding the cable on the spool, if required.

- This will increase or decrease the cable length 6” per wrap.

e. Check Bottom Bar.

- * **Make sure the Bottom Bar reaches the Locking Plate** when the door is down.
- If you see that the Bottom Bar is not quite reaching the Locking Tab, you must **raise the Fabric Roll on that side** using the slotted holes on the Mounting Plates into the Upright track.
- When properly adjusted, the **Fabric should collect itself nicely onto the Fabric Roll** when the door is raised.

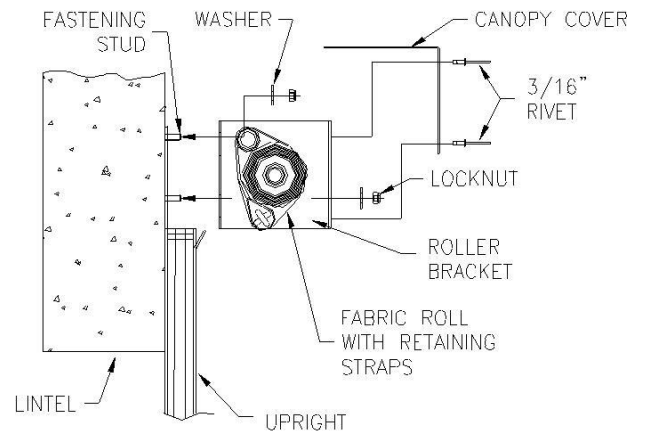


FIG. 3

6. Install Canopy Cover

- a. **Install Canopy Cover on top of Roller Brackets.**
 - Make sure that the Canopy covers the full unit width.
- b. **Attach Canopy Cover** onto each Roller Bracket at 4 places.
 - Use Rivets provided.(Fig. 3)

7. Install Counterweight Cover

- a. **Position the Counterweight Cover 1/2" above the floor** (Figure 4).
 - **Line up the outside edge** of the Counterweight Cover with the Canopy Cover.
- b. **Attach Counterweight Cover.**
 - **Drill 3/16" holes** through leaf hinges into Side Frame.
 - **Insert rivets.**
- c. **Secure Counterweight Cover with Bolt Latch.**
 - **Mark the Bolt Latch position** on the floor.
 - **Drill a 3/8" x 3/4" deep hole** into floor for Bolt Latch.
 - **Secure Bolt Latch** in hole.

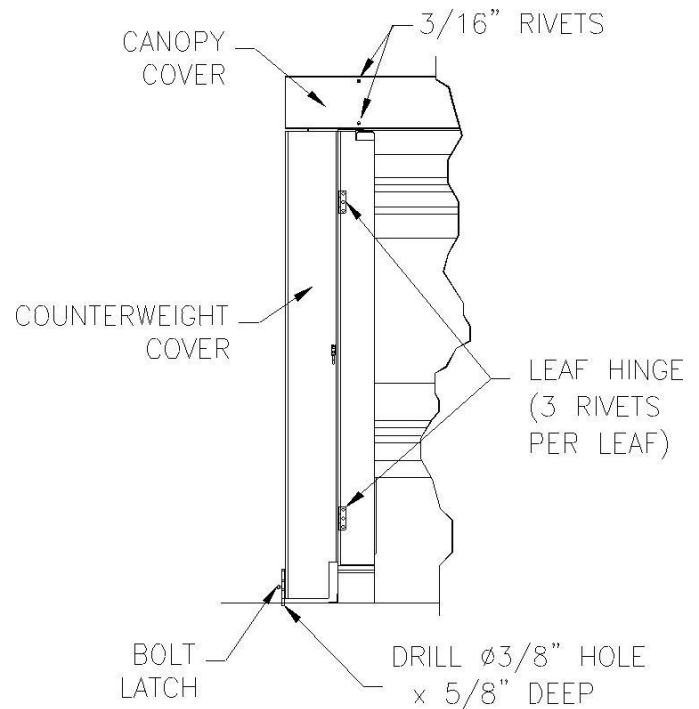


FIG. 4

8. Install Gasket To Canopy, Gasket Retainer, and Projection Leg

- a. **Attach Brush Gasket to Canopy Lip.** (Fig. 6b)
 - **Position Brush Gasket piece #3** on top of Canopy Lip.
 - **Drill** through lip into aluminum at approximately 16" centers.
 - **Trim** Brush Gasket, if necessary.
- b. **Attach Brush Gasket to aluminum Gasket Retainer.**
 - **Position Brush Gasket piece #4** onto aluminum Gasket Retainer and into Track Fastening Tab.
 - **Screw** through Gasket Retainer and into Track Fastening Tab.
 - **Trim** Brush Gasket, if necessary.
- c. **Attach Brush Gasket to top of Projection Leg.**
 - **Position Brush Gasket piece #5** at top of Projection Leg.
 - **Drill** through aluminum Gasket Retainer into Projection Leg.
- d. **Repeat** attaching Brush Gasket to Gasket Retainer and to Projection Leg for other side of door.

NOTE: THESE BRUSH GASKET INSTALLATION INSTRUCTIONS ARE MEANT ONLY AS A GUIDE. SOME SUBSTITUTIONS OR ALTERATIONS OF GASKET PLACEMENT MAY BE NECESSARY TO CREATE A SATISFACTORY SEAL FOR DOORS WITH DIFFERENT PROJECTIONS OR OBSTRUCTIONS.

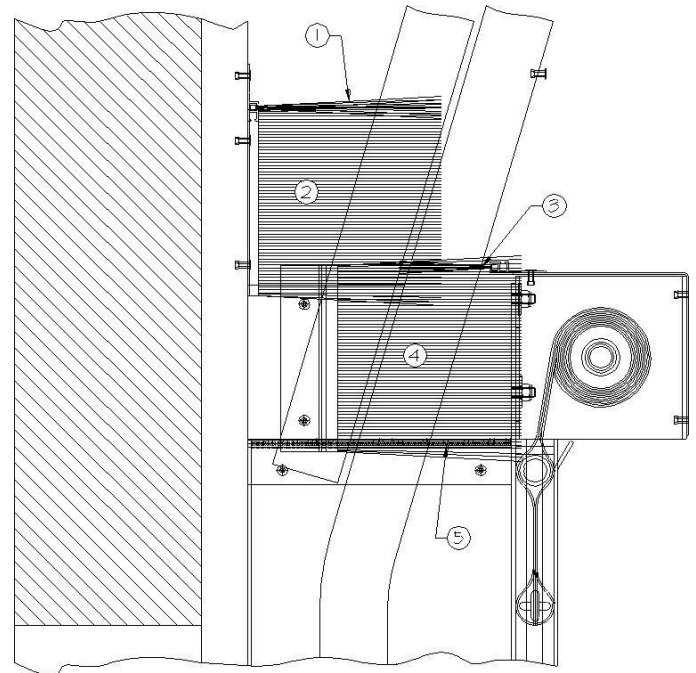
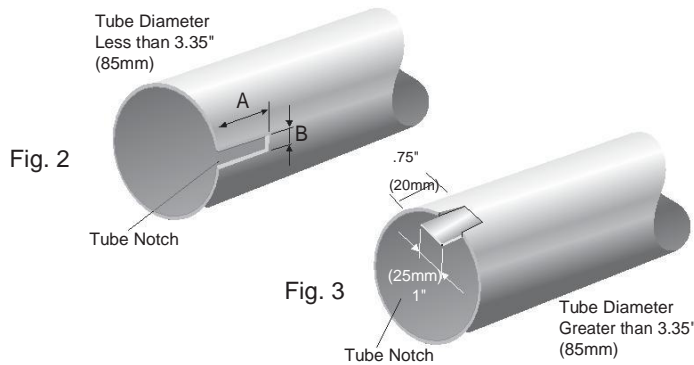
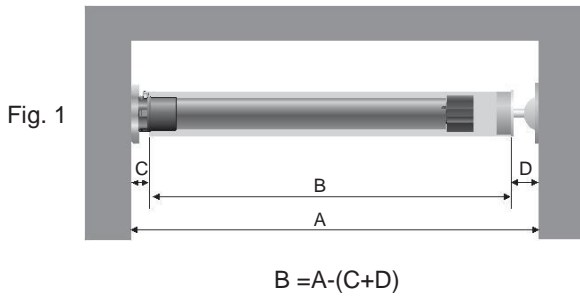
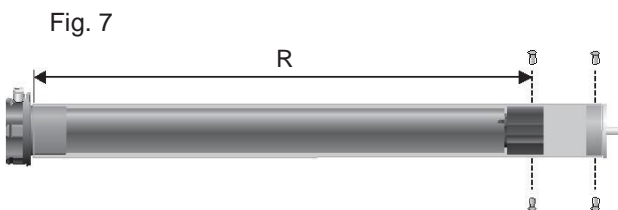
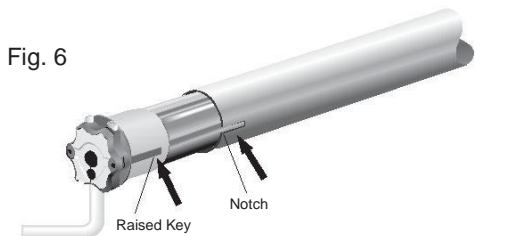
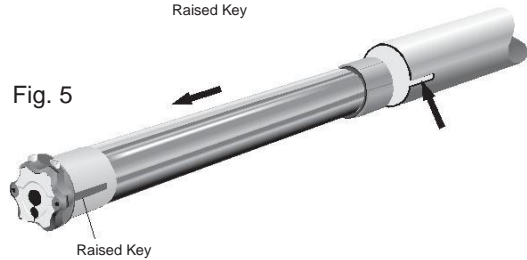
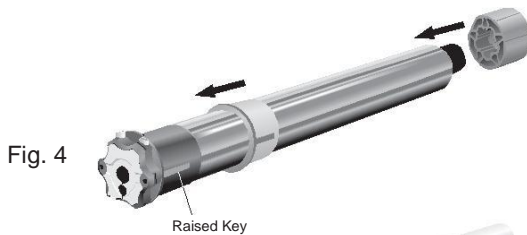


FIG. 6B

LT50/60 Motor Installation Instructions



Notch: LT50 Length = 25 mm Width = 4 mm
 LT60 35 mm 8 mm



1. TUBE PREPARATION

Cut the tube to the required length (B), taking into account the width of the installation (A), the motor end clearance (C), and the idler end clearance (D). (See Fig. 1)
 USE FORMULA TO DETERMINE MEASUREMENTS.

Remove all burrs from the ends of the tube and ensure that the inside of the tube is clean.

For all round tube sizes up to 3.35" (85 mm) inclusive, notch the tube on the motor end to the dimensions A & B. (See Fig. 2)

For all tubes over 3.35" (85 mm) form a tongue in the motor end of the tube by making two cuts 1" (25 mm) apart and .75" (20 mm) deep. (See Fig. 3)

2. PREPARING THE TUBULAR MOTOR

Place the crown wheel over the body of the motor. Slide the slot in the motor crown over the raised key on the motor's limit switch unit. (See Fig. 4)

A crown is not necessary on

2.0" Tube when used with LT50,
 and 2.5" Tube with LT60.

Fit the drive wheel on to the output shaft of the motor. There are two types of LT drive wheels: Removable or "SOFT CLIP" type, and fixed or "HARD CLIP" type. The "SOFT CLIP" drives are only available for round tubes in 2.0", 2.5", and 2.75" diameters. The drive wheel can be removed by physically pulling it off the motor shaft. For the ease of identification all "SOFT CLIP" drives are **BROWN**. The "HARD CLIP" drives can only be removed from the shaft by pressing the two clips inward at the same time. The motor must be out of the tube in order to have access to the clips. These drives are **BLACK**.

3. FITTING THE MOTOR INTO THE TUBE

For round tubes: Measure the drilling length R according to the motor type listed in the table below. Fit the motor into the tube ensuring that the notch at the end of the tube slides over the raised key on the crown wheel. (See Fig. 5, 6) Secure the drive wheel to the tube using four 7/32 steel pop rivets or four 1/4 DIA. screws. Fit the end plug into the other side of the tube and secure it with three steel pop rivets. Use only fasteners with steel grades SAE 5 or higher. Metric fasteners must be grade 8.8 or higher. (See Fig. 7)

4. SUPPLY CABLE OUTPUT

AXIAL OUTPUT: Pass the supply cable through the center hole of the yellow motor head cover. (See Fig. 5)
RADIAL OUTPUT: Pass the supply cable through the groove in the motor head. (See Fig. 6)

LT50

MOTOR TYPE	R in. / mm	MOTOR TYPE	R in. / mm
504S2	19.29/490	520R2	20.08/510
506S2	20.08/510	525A2	21.26/540
510S2	21.26/540	530R2	21.26/540
510R2	19.29/490	535A2	23.23/590
515S2	23.23/590	540R2	23.23/590
515A2	20.08/510	550R2	23.23/590

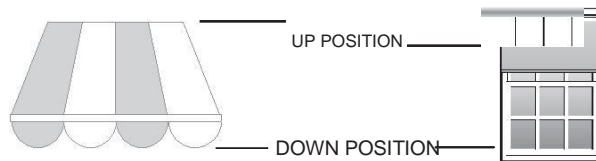
LT60

MOTOR TYPE	R in. / mm
660R2	25.3/642
680R2	25.3/642
6100R2	25.3/642

5. LIMIT SWITCH SETTING

SOMFY strongly recommends using a Tester Cable (T.C.) Cat. No. 6020086 to set the motor limits, and to ensure the system is operating correctly before the final electrical connection is made. Refer to Step 7 "Trouble Shooting Guide" for any problems encountered.

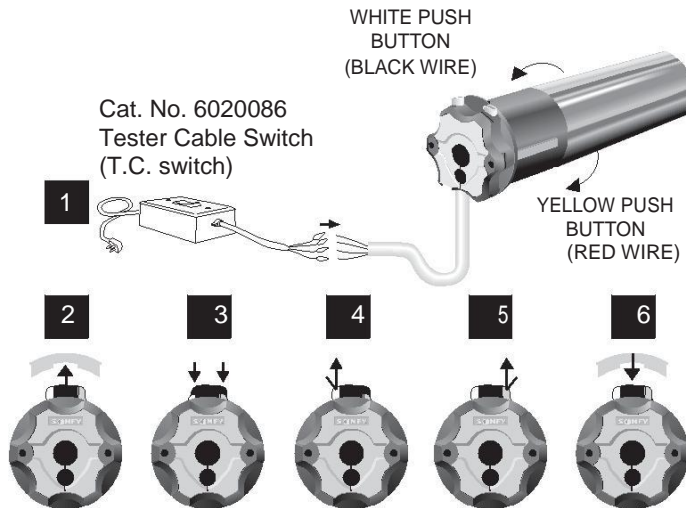
Two positions have to be set: the UP & DOWN positions, this is where the rolling shutter or awning will stop automatically.



Sequence:

- 1 Ensure the tester cable switch is in the center "OFF" position, and connect T.C. to motor leads by matching color codes.
- 2 Remove the protective cap covering the limit setting buttons on motor head, and replace when finished.
- 3 Depress fully both limit switch push buttons. They will automatically lock in the down position. Operate the T.C. switch and check that the system operates correctly. Identify the UP limit switch push button (refer to figure used for step 1). Press the T.C. switch in the UP direction until the required position is reached. Set the switch to the center "OFF" position.
- 4 Unlock the UP limit switch push button by depressing and releasing it.
- 5 Repeat the above operation to set the lower limit. Check with the switch that the motor stops at the up & down positions just set.
- 6 Always remember to affix the protective cap over the limit switch buttons.

NOTE: Tubular motors are not continuously rated. They have a built-in thermal overload device which limits their operation to approximately 5 minutes.



** The motor cable should not act as a direct conduit for the water to enter the head of the motor (form drip loops).

6. WIRING/INSTALLATION RECOMMENDATIONS

- c. All wiring must conform to NEC (National Electrical Code) and local codes
- e. Do not wire two or more motors to one SPDT (single pole double throw switch-NO PARALLEL WIRING).
- f. Do not use light switches.
- g. Do not wire two or more switches to one motor, without using SOMFY's multi switch command. Cat. No. 6300427.

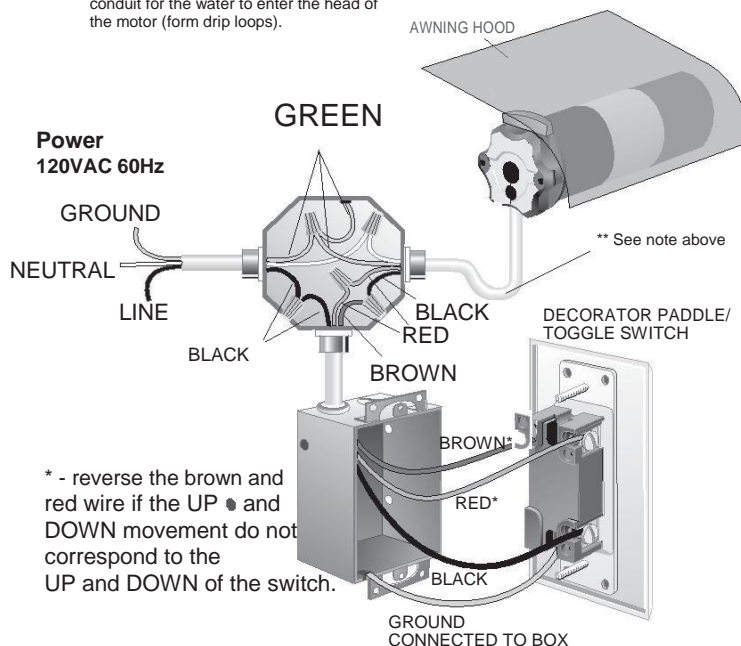
NOTE: SOMFY motors conform to IP44 requirements and as such must be protected against direct weather elements such as rain, sleet,...etc.

SOMFY reserves the right to void the motor warranty if the wiring recommendations are not followed.

7. TROUBLESHOOTING GUIDE

SYSTEM DOES NOT RESPOND

- Is the power supply switched on - check any fuses in the system?
- Is control switch wired correctly? Refer to instructions.
- Are limit switches set properly? Review limit switch settings.
- The thermal protective device may have shut the motor off. Wait for the motor to cool down.
- Check the wiring between the motor & the switch.
- Disconnect the switch & test the motor with a tester cable.



* - reverse the brown and red wire if the UP and DOWN movement do not correspond to the UP and DOWN of the switch.

THE SYSTEM IS NOT STOPPING

- Is the limit switch crown wheel being driven by the tube (has tube profile been properly notched)?
- Is motor drive wheel securely fastened to the tube?

NOTE: if the motor is tested outside the tube, the crown wheel has to be manually turned in order to stop the rotation of the output shaft.

